

Elite EverNeon46

Freedom EverNeon48

We customize everything for these products, so when you receive it it's ready to be installed.



EVERNEON

We have been doing EverNeon for the past 6 years and we came to find that 99% of failure is due to waterproof issues. Either installation is done careless or it is wrongly installed when the product is cut on-site, or installation instructions did not pass down properly, or simply the installer had a bad day, it's human nature!

The only thing we can do is improve our product.



Illuminated by Everlyite



Illuminated by Everlyite

For every one of these jobs the runs where custom made for connectors and length. Trust us, our products are worth the wait.



Illuminated by Everlyite - Fixture Contractor: Triangle Sign Services

Illuminated by Everlyite - Fixture Contractor: Design Graphics LLC

Elite Series



Our most popular LED neon replacement option. This product has a mushroom-top shape that provides a 270-degree beam angle maximizing the light output. This makes it the perfect fit for border lighting, recessed applications, cove lighting, open face channel letters, shapes, designs, or anything else you can think of.



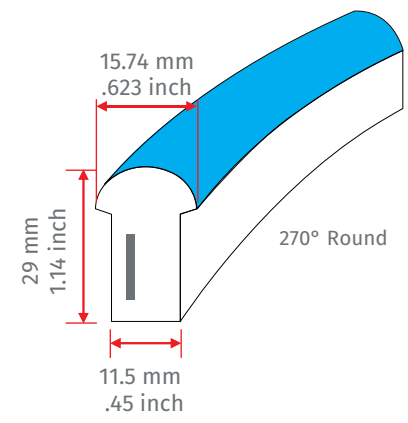
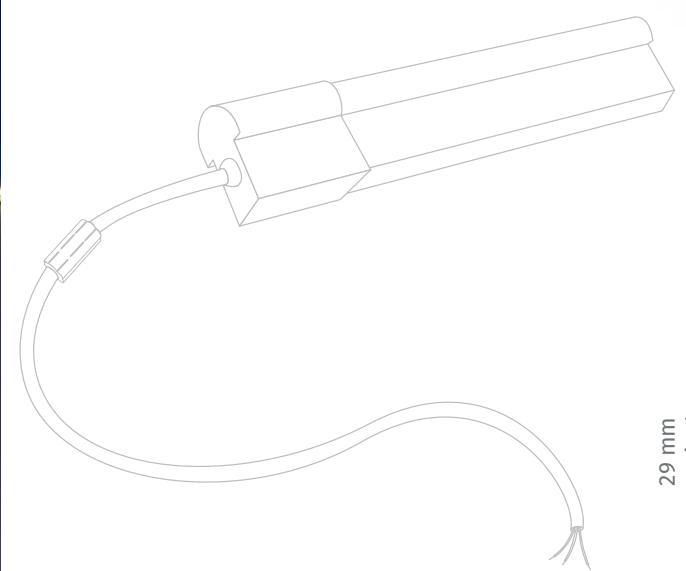
DMX

Now we offer Silicone housing, making it more flexible and reliable.



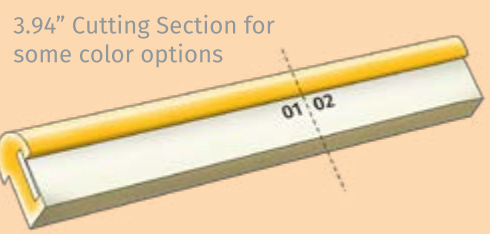
Elite EverNeon

You can bend it, shape it, or simply create with it. With a 4.92" bending diameter, the sky is the limit to determine what this product can be used for. This 24V system is available in RGB, RGBW, and DMX options.

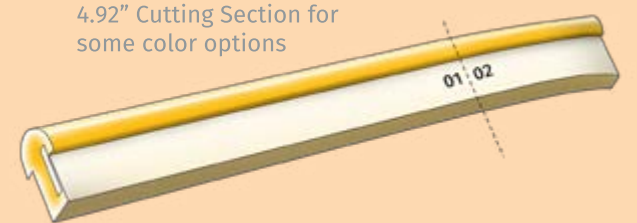


Horizontal Bending

Cutting Sections



3.94" Cutting Section for some color options



4.92" Cutting Section for some color options

Freedom Series



The go-to solution for recessed applications because of its 160-degree beam angle. This unique square LED neon replacement is available in horizontal and vertical bending, allowing it to be used in border lighting applications where there needs to be a smooth transition in corner spaces.

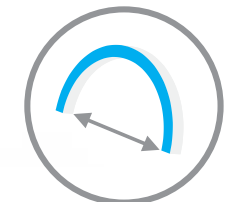
Did you know

this product can be interchanged between horizontal and vertical bending options in the same application? You will not be able to notice. Ask us for references.



Freedom EverNeon

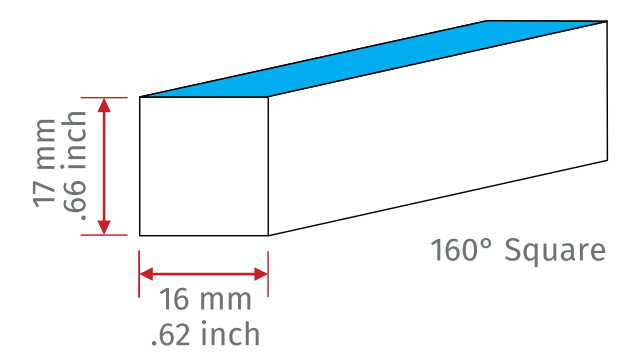
Being the highest lumen output option with 900lm/m, this product is available in RGB, RGBW and DMX options for 24V systems. Unleash your creativity, we will take care of the rest.



Horizontal Bending



Vertical Bending



Cutting Sections

3.28" Cutting Section for some color options



In this particular project, the customer had custom-made u-channels to make sure the EverNeon was properly installed, and it created the most perfect wavy effect.



Illuminated by Everylite -
Fixture Contractor: Triangle Sign Services

Accessories



2" Locking U Channel



40" Locking U Channel

Every project goes out with the proper installation accessories. 2" is recommended when there are many bends and shapes. 40" will do for straight runs. Don't worry, we calculate how many you need of each based on the final design.

Customization

Single Injection Mold



Front

Bottom

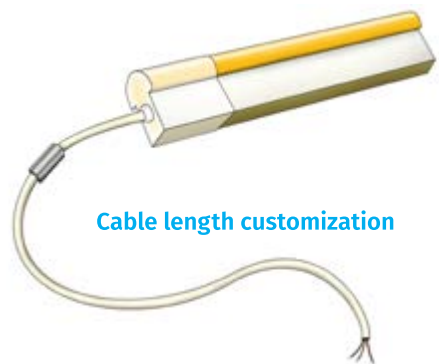
Side

End Cap

Double Injection Mold



This is why we custom-make every job from the factory. This is what prevents any waterproof failure. It takes a little longer, but once it is all customized you will have it ready to be installed.



Cable length customization



Jumper connector available

EverNeon Specs

Elite EverNeon

Item #	LED Color	Surface Color	Min Cutting Length	Luminous Flux/Ft	Power Consumption	Working Voltage	IP Rating	Min. Bend Diameter	LED Spacing	Max. Single Power Feed	Max. Double Power Feed
EN-ELT-FX-PH-24	RGB	White	3.94"	-	3.66 W/ft	24 VDC	IP68	4.72"	0.67"	20'	40'
EN-ELT-FW-PH-24	RGBW	White	3.94"	-	4.57 W/ft	24 VDC	IP68	4.72"	0.67"	15'	30'
EN-ELT-FXS-PH-24	Smart RGB	White	4.92"	-	3.66 W/ft	24 VDC	IP68	4.72"	0.67"	35'	70'
EN-ELT-FWS-PH-24	Smart RGBW	White	4.92"	-	4.57 W/ft	24 VDC	IP68	4.72"	0.67"	35'	70'

Freedom EverNeon

Vertical Bending

Item #	LED Color	Surface Color	Min Cutting Length	Luminous Flux/Ft	Power Consumption	Working Voltage	IP Rating	Min. Bend Diameter	LED Spacing	Max. Single Power Feed	Max. Double Power Feed
EN-FDM-FX-PV-24	RGB	White	3.28"	-	3.66 W/ft	24 VDC	IP68	11.81"	0.36"	15'	30'
EN-FDM-FW-PV-24	RGBW	White	3.28"	-	4.57 W/ft	24 VDC	IP68	11.81"	0.36"	15'	30'
EN-FDM-FXS-PV-24	Smart RGB	White	3.28"	-	5.03 W/ft	24 VDC	IP68	11.81"	0.36"	30'	60'
EN-FDM-FWS-PV-24	Smart RGBW	White	3.28"	-	6.71 W/ft	24 VDC	IP68	11.81"	0.36"	30'	60'

Horizontal Bending

Item #	LED Color	Surface Color	Min Cutting Length	Luminous Flux/Ft	Power Consumption	Working Voltage	IP Rating	Min. Bend Diameter	LED Spacing	Max. Single Power Feed	Max. Double Power Feed
EN-FDM-FX-PH-24	RGB	White	3.28"	-	3.66 W/ft	24 VDC	IP68	11.81"	0.36"	15'	30'
EN-FDM-FW-PH-24	RGBW	White	3.28"	-	4.57 W/ft	24 VDC	IP68	11.81"	0.36"	15'	30'
EN-FDM-FXS-PH-24	Smart RGB	White	3.28"	-	5.03 W/ft	24 VDC	IP68	11.81"	0.36"	30'	60'
EN-FDM-FWS-PH-24	Smart RGBW	White	3.28"	-	6.71 W/ft	24 VDC	IP68	11.81"	0.36"	30'	60'



Illuminated by Everlyte -
Fixture Contractor: Triangle Sign Services