

Date:	
Type:	
Firm Name:	
Project:	



SP-R65

# Spectrum Round Series

Everylite Datasheet Ver 2.1  
Revision Date 08/2019



## Features

- UL, CE and RoHS compliant.
- IP68 and UV resistant with fully integrated molding and lens.
- Constant Current Technology ensures even illumination throughout your project.
- Utilizes DMX512 protocol for flexibility of control and compatibility.
- The Spectrum modules integrated DMX decoders eliminate the need for external DMX Decoders.
- SMD3535 LED chips for increased brightness, color consistency and saturation.
- Fully potted modules to ensure a high quality waterproofing.



## Spectrum R65 Series Parameters

Item #	LED Color	Housing Color	Control Mode	Modules/ft	Lm/module	Input Voltage	W/module	Viewing Angle	Waterproof
SP-R65-FXS-G	RGB	Gray	DMX	3*	75.5	24	2.4W	120°	IP68
SP-R65-FXS-B	RGB	Black	DMX	3*	75.5	24	2.4W	120°	IP68
SP-R65-FWS-G	RGBW	Gray	DMX	3*	75.5	24	3W	120°	IP68
SP-R65-FWS-B	RGBW	Black	DMX	3*	75.5	24	3W	120°	IP68

\*Varies based on customization options.

## Power Supply Maximum Loading Capacity\*

2.4 Watt LED

Power Supply	20W	60W	100W	150W	240W
By Module	7 mods	22 mods	37 mods	56 mods	90 mods
By Footage	2 ft	7.33 ft	12.33 ft	18.67 ft	30 ft

3 Watt LED

Power Supply	20W	60W	100W	150W	240W
By Module	6 mods	18 mods	30 mods	45 mods	72 mods
By Footage	2 ft	6 ft	10 ft	15 ft	24 ft

\*Due to voltage drop, a maximum of 50 modules can be run with a single input of power and up to 100 modules can be run with a dual input of power.

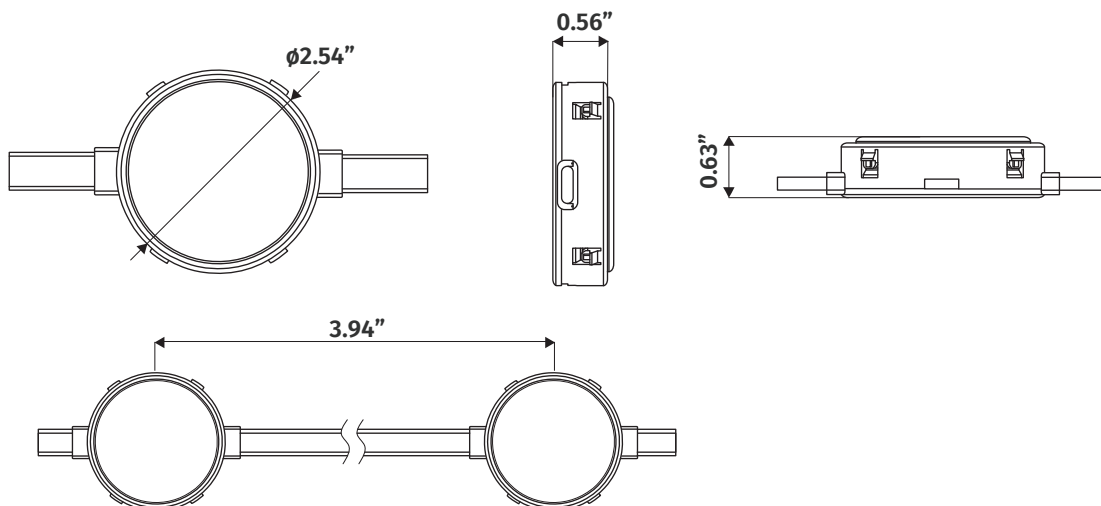
## Common Parameters

LED Manufacturer	LED Chip Size	LED Quantity	Rated Lifetime	Working Temperature	Storage Temperature
Epistar/Cree	SMD3535 (RGB), 2835 (RGBW)	12pcs (RGB), 16pcs(RGBW)	≥30000 hours	-4°F ~ 140°F	-40°F ~ 167°F

## Testing

Power Testing	Drop Test	Thermal Shock	Salt Spray Test	UV Test	ESD Test	IP Rating	Flame Retardance
5V, Ta=77°F ±9°F	48" (10 cycles)	-40°F(30 mins) to 212°F(30 mins) 200 cycles	Salt 5% (72 hours)	UV-A, 350-400nm, 140°F (72 hours)	3000V	IP68 20" underwater (48 hours)	UL94-V0 (10 cycles)

## Drawing



NOTE: The center to center distance shown is the minimum length of the cable, this can be customized.