

Date:	
Type:	
Firm Name:	
Project:	

EVE-150-12-II

Everylite Datasheet Ver 2.0
Revision Date 02/2019



Description

EVE-150-12 LED power supply is a high efficiency and high performance power solutions for LED signage and other outdoor applications by featuring a wide input voltage range 100-277VAC with PFC function, surge, over voltage, over current, over temperature and short circuit protections. With the highest waterproof grade of IP68, it is designed to work under a wide range of environmental conditions with multiple protection functions for wide operating temperatures -40°C to +122°F.

Features

- 100-277VAC nominal input voltage
- Active power factor correction PF≥0.95
- IP68 aluminum case with silicone encapsulated designed for indoor or outdoor applications, suitable for dry, damp and wet location
- Built-in PFC function
- Protections: Short circuit; over current; over voltage; short circuit; over temperature with auto recovery
- Fire-retardant rating UL94-0
- Compliance to worldwide safety regulations for lighting: UL, CE, ENEC, FCC
- 5 years product warranty

Specification

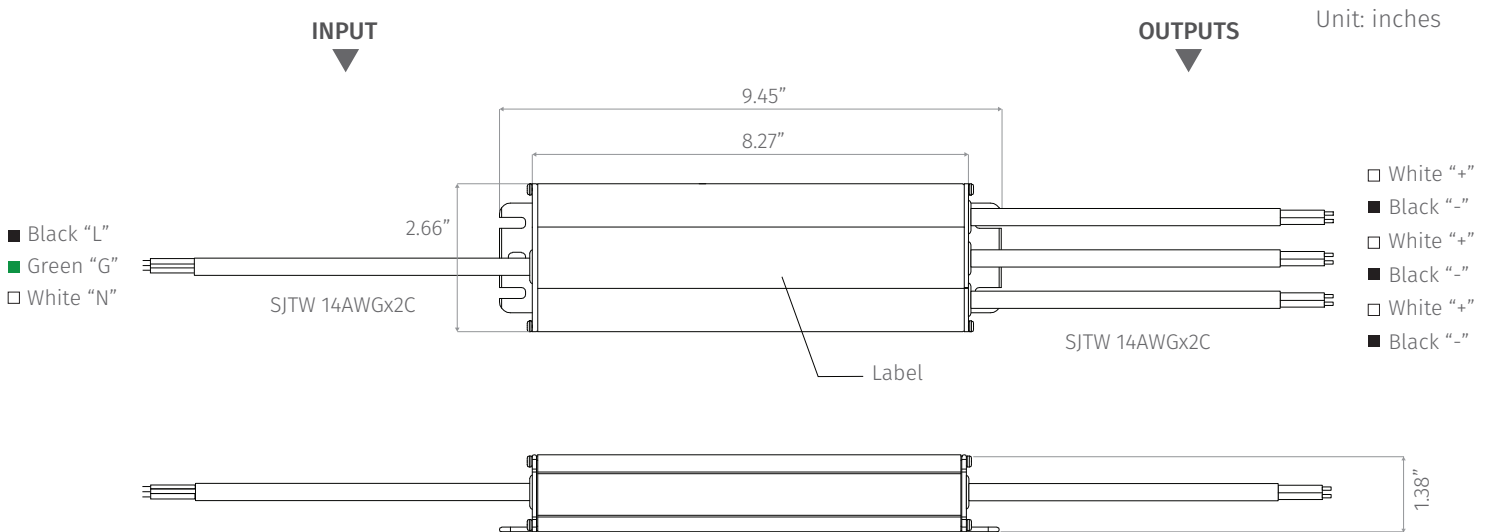
Output Characteristics		Environmental Characteristics		Safety and EMC	
Rated Output Voltage	12V	Vibration	10-500HZ,5G, 30 minutes (for X, Y, Z each axis)	Safety Standard	IP68 UL, FCC, CLASS II, CE ENEC
Rated Output Current	4.16A x 3			Dielectric Strength (Hi-Pot)	I/P-O/P 3.75KVAC/ 10mA/ 3S I/P-Case 1.8 KVAC/ 10mA/ 3S
Rated Output Power	150W	IP Grade	IP68	Insulation Resistance	100MOhm Max/ 500VDC/ 3S
Output Voltage Accuracy	±5% (11.4-12.6V)	Storage Humidity	10-95%RH	Grounding Resistance	100mOhm
Output ripple & noise	≤150mV	Working Humidity	20-95%RH (non-condensing)	EMC	FCC part 15B EN55015
Input Characteristics		Protective Characteristics		Other Characteristics	
Input Voltage Range	100-277 VAC	Over-Temperature Protection	Yes	MTBF	≥70000hrs. MIL-HDBK-217F(25°C)
Input Frequency Range	50-60HZ	Over-Voltage Protection	Yes	Size	8.27"x2.66"x1.38"(L*W*H)
Input Current	2.1A/100V 0.76A/277V	Short-Circuit Protection	Yes	Weight	2.2 lbs
Inrush Current (cold start)	≤70A (100-277VAC)	Over-Current Protection	Yes		
Efficiency	≥93%				
PF	≥0.95				



Notes

- Test environment temperature: 25±2°C
- Ripple and noise measurement methods: terminal to parallel 47uF Ele. Cap and 0.1uF Cer. Cap , in 20 MHZ Bandwidth measurement.
- The above data are typical values; the actual data of each single product could differ from the typical values. The data subject to change without prior notice.

Drawing



Label Drawing

INPUT 100-277VAC 50/60Hz 1.83 Max (N) White (G) Green (L) Black	EVERYLITE LED Driver: For LED Only EVE-150-12-II 	<table border="1"> <tr><td>Efficiency</td><td>≥92%</td></tr> <tr><td>TA</td><td>122°F</td></tr> <tr><td>TC</td><td>167°F</td></tr> <tr><td>Output Voltage</td><td>12V</td></tr> <tr><td>Output Power</td><td>150W</td></tr> <tr><td>PF</td><td>≥0.95</td></tr> </table>	Efficiency	≥92%	TA	122°F	TC	167°F	Output Voltage	12V	Output Power	150W	PF	≥0.95	• Suitable for Dry, Damp and Wet Locations SELV RS01 IP68 S/N: 307-05-640	• 1-888-567-4533 • www.everylite.com • Made in China • Date Code: YYWW • Contant Voltage • Class 2 Power Supply	OUTPUT 3 (3 X) 5A 12V ⊕ White ⊖ Black	OUTPUT 2 ⊕ White ⊖ Black	OUTPUT 1 ⊕ White ⊖ Black
			Efficiency	≥92%															
TA	122°F																		
TC	167°F																		
Output Voltage	12V																		
Output Power	150W																		
PF	≥0.95																		

