

Date:	
Type:	
Firm Name:	
Project:	



# C-AMP-5A4-OD Outdoor PWM Amplifier

Everylite Datasheet Ver 2.2  
Revision Date 04/2020



## Features

- PWM Power Signal Repeater
- Maximum 5A per channel
- 1/2/3/4 channel optional
- IP67 waterproof rating
- Constant Voltage
- UL Rated
- Power Repeaters can be connected in series to expand output unlimitedly



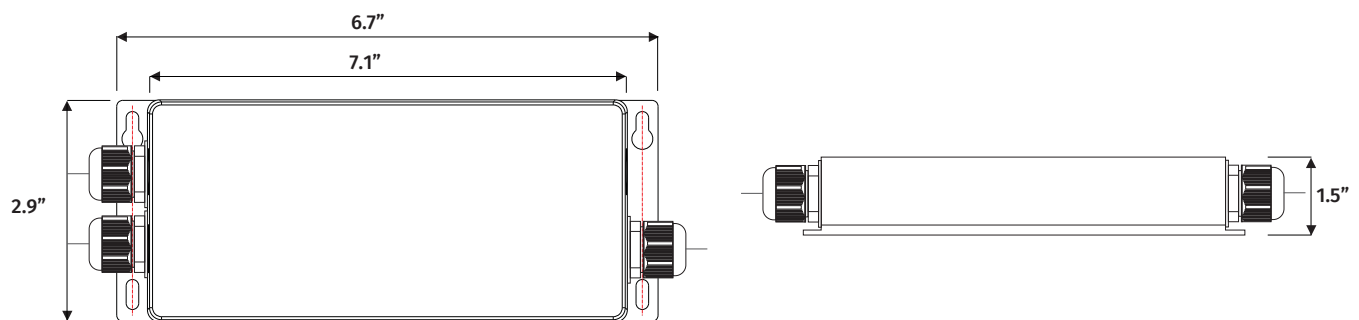
## Technical Parameters

Input Voltage	Max. Load Current	Output Power	Working Temperature	Dimensions (L x W x H)
12 - 36 VDC	5A/Channel	4 x (60-180)W	( -4 ~122 ) °F	7.1" x 2.9" x 1.5"

## Operation

The LED Power Signal Repeater is suitable for all single color, RGB and RGBW controllers to expand power output. It supports PWM control and can connect more LEDs by adding additional power repeaters.

## Dimensions

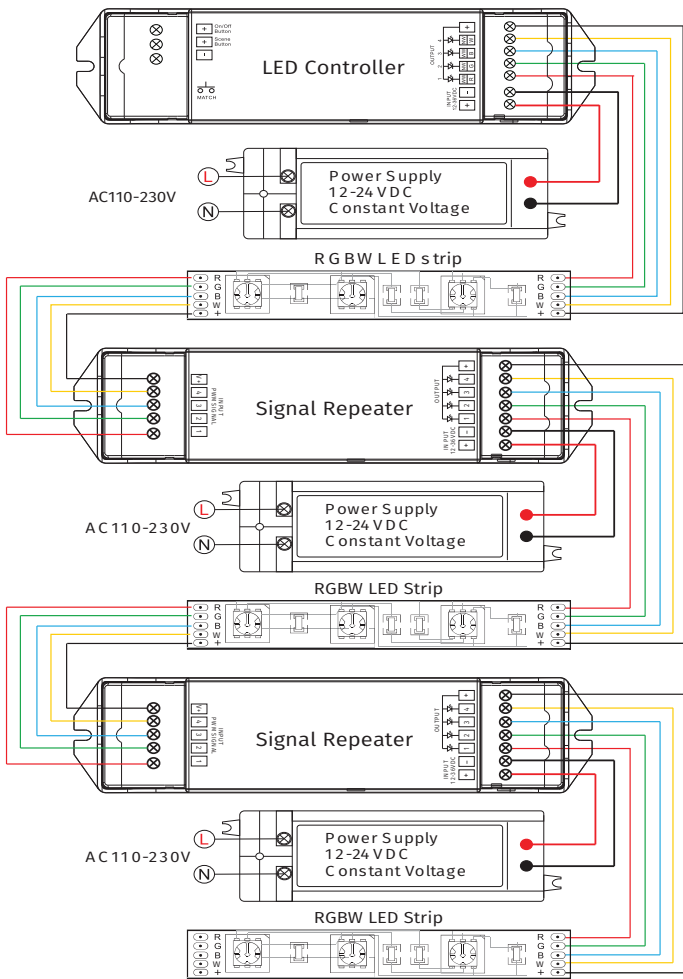


## Safety Information

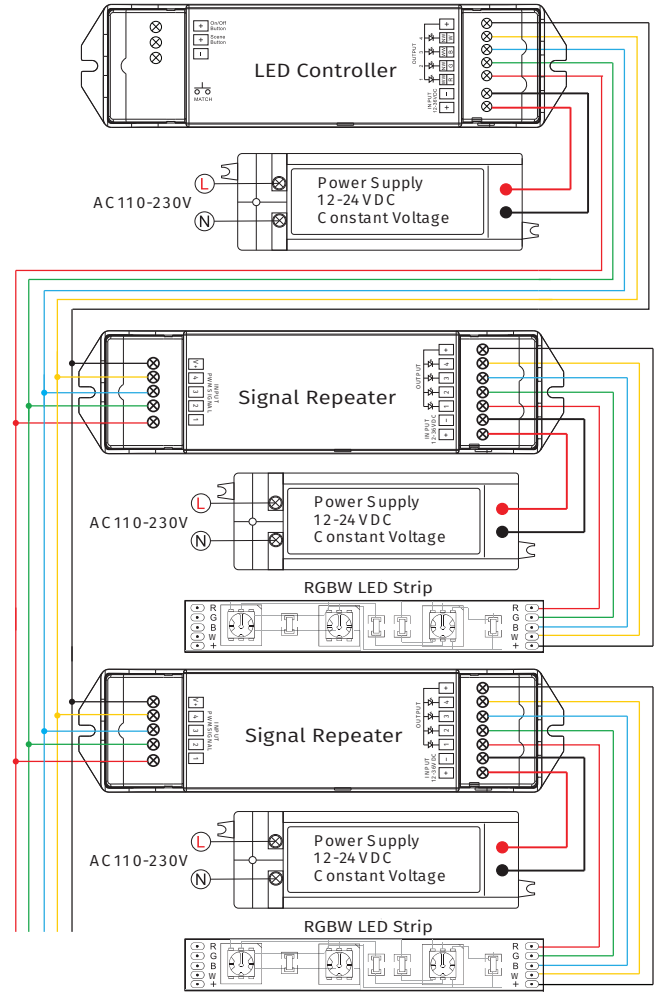
1. The product shall be installed and serviced by a qualified person.
2. Good heat dissipation will prolong the working life of the controller, please ensure good ventilation.
3. Please check if the output voltage of any power supplies used to comply with the working voltage of the products.
4. Ensure all wire connections and polarities are correct and secure before applying the power to avoid any damages to the LED lights.
5. If a fault occurs please return the product to your supplier. Do not attempt to fix this product by yourself.

## Wiring Diagram

### Series Connection



### Parallel Connection



## Malfunctions Analysis & Troubleshooting

Malfunctions	Causes	Troubleshooting
No Light	<ol style="list-style-type: none"> <li>1. No Power.</li> <li>2. Wrong or Insecure Connection.</li> </ol>	<ol style="list-style-type: none"> <li>1. Check the Power</li> <li>2. Check the Connection</li> </ol>
Wrong Color	<ol style="list-style-type: none"> <li>1. Wrong connection of R/G/B/W wires.</li> </ol>	<ol style="list-style-type: none"> <li>1. Reconnect R/G/B/W wires</li> </ol>
Uneven Intensity Between Front and Rear, with Voltage Drop.	<ol style="list-style-type: none"> <li>1. Output cable is too long.</li> <li>2. Wire diameter is too narrow.</li> <li>3. Overload beyond power supply capability.</li> <li>4. Overload beyond controller capability.</li> </ol>	<ol style="list-style-type: none"> <li>1. Reduce cable or loop supply.</li> <li>2. Change to wider cable.</li> <li>3. Replace for higher power supply.</li> <li>4. Add power repeater.</li> </ol>

