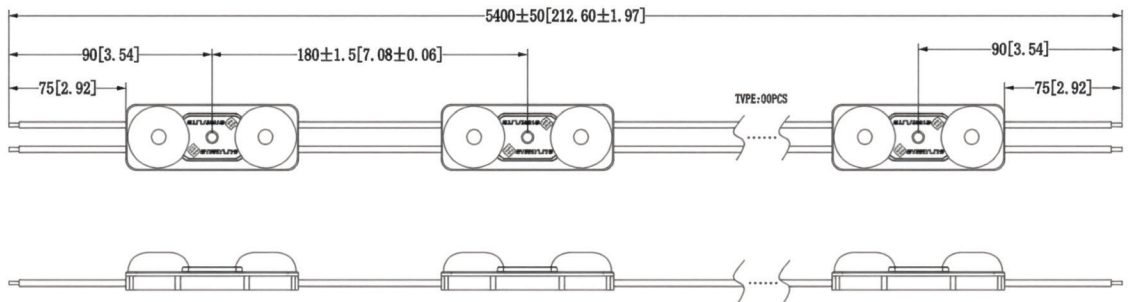
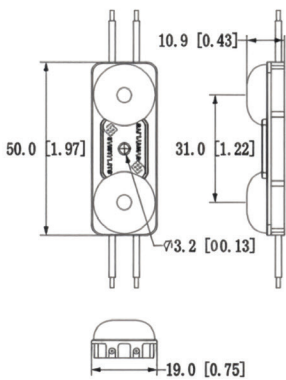




Technical Parameters

Item #	Peak Wave Length	Voltage	Mod/ft	LM/mod	LM/ft	LM/W	W/mod	W/ft	Viewing Angle	Waterproof
RX-2D-W72A	7200K	12V	1.5	160	240	160	1	1.1	180	IP67

Technical Drawing - Unit Inches (MM)



Specifications

Structural Parameters

Dimension: 1.9*0.77*0.43 in

Module/Ft: 1.5

Viewing Angle: 180

IP Rating: IP67

Working Temperature: -13~+122°F

Storage Temperature: -13~+140°F

Power Supply Loading

	60W	120W	180W
By Module	54	108	162
By Footage	36	72	108

Spacing Recommendations

3" Can Depth = Stroke at 8"
Max Spacing between runs is 9"

4" Can Depth = Stroke 11"
Max Spacing between runs is 11"

5" Can Depth = Stroke 12"
Max Spacing between runs is 14"

*Mod to Mod Spacing: 8" center-to-center,
1.5 mods/ft for all depths.

Packaging Information



=



=



1 Box = 10 Bags
1 Bag = 60 Modules = 40ft