

Date:	
Type:	
Firm Name:	
Project:	



SP-R80

Spectrum Round Series

Everylite Datasheet Ver 2.1
Revision Date 12/2019



Features

- UL, CE and RoHS compliant
- IP68 and UV resistant with fully integrated molding and lens.
- Fully potted modules to ensure a high-quality waterproofing.
- Utilizes DMX512 protocol for flexibility of control and compatibility.
- SMD3535 LED chips for increased brightness, color consistency, and saturation.
- Constant Current Technology ensures even illumination throughout your project.
- The Spectrum modules integrated DMX decoders eliminate the need for external DMX Decoders.



Spectrum R80 Series Parameters

Item #	Color	Control Mode	module/ft	Lm/module	Input Voltage	W/module	Viewing Angle	Waterproof
SP-R80-FXS-G	RGB	DMX	3*	90.48	24	3 W	120°	IP68
SP-R80-FXS-B	RGB	DMX	3*	90.48	24	3 W	120°	IP68
SP-R80-FWS-G	RGBW	DMX	3*	90.48	24	3.5 W	120°	IP68
SP-R80-FWS-B	RGBW	DMX	3*	90.48	24	3.5 W	120°	IP68

*Varies based on customization options.

Power Supply Maximum Loading Capacity*

3 Watt LED

Power Supply	20W	60W	100W	150W	240W
By Module	6 mods	18 mods	30 mods	45 mods	72 mods
By Footage	2 ft	6 ft	10 ft	15 ft	24 ft

3.5 Watt LED

Power Supply	20W	60W	100W	150W	240W
By Module	5 mods	15 mods	25 mods	38 mods	61 mods
By Footage	1.67 ft	5 ft	8.3 ft	12.67 ft	20.33 ft

*Due to voltage drop, a maximum of 50 modules can be run before power needs to be reintroduced into the line of modules.

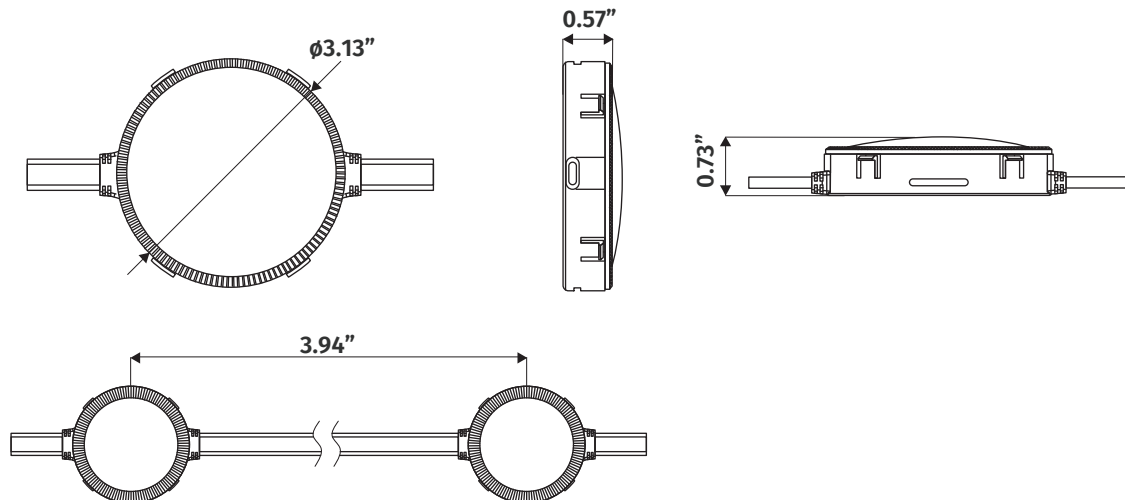
Common Parameters

LED Manufacturer	LED Chip Size	LED Quantity	Rated Lifetime	Working Temperature	Storage Temperature
Epistar/Cree	SMD3535/SMD2835	12 pcs	≥30000 hours	-4°F ~ 140°F	-40°F ~ 167°F

Testing

Power Testing	Drop Test	Thermal Shock	Salt Spray Test	UV Test	ESD Test	IP Rating	Flame Retardance
5V, Ta=77°F ±9°F	48" (10 cycles)	-40°F(30 mins) ~ 212°F(30 mins) 200 cycles	Salt 5% (72 hours)	UV-A, 350-400nm, 140°F (72 hours)	3000V	IP68 20" underwater (48 hours)	UL94-V0 (10 cycles)

Drawing



*The center to center distance shown is the minimum length of the cable, this can be customized

Spectrum R80 Series Mounting Clips

Unit: inches

